



PRODUCT DEVELOPMENT FOR WIPO CONFERENCE HALL

GENEVA, SWITZERLAND, 2009-2014

Client

World Intellectual Property Organization (WIPO), Geneva, Switzerland

Architect

Behnisch Architekten, Stuttgart

Planning and construction

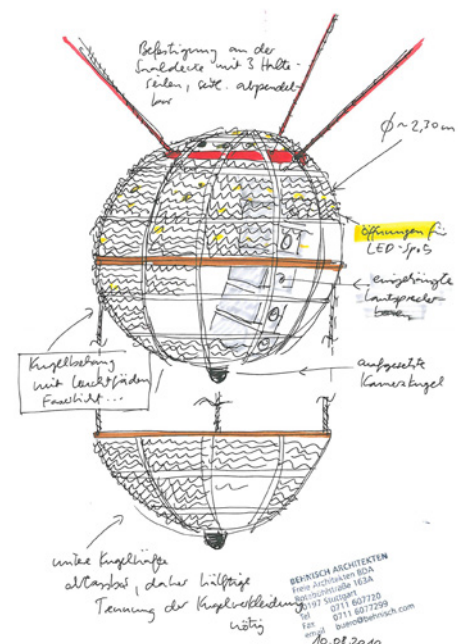
2009-2014

Address

Route de Ferney
CH-1211 Geneva 20
Switzerland

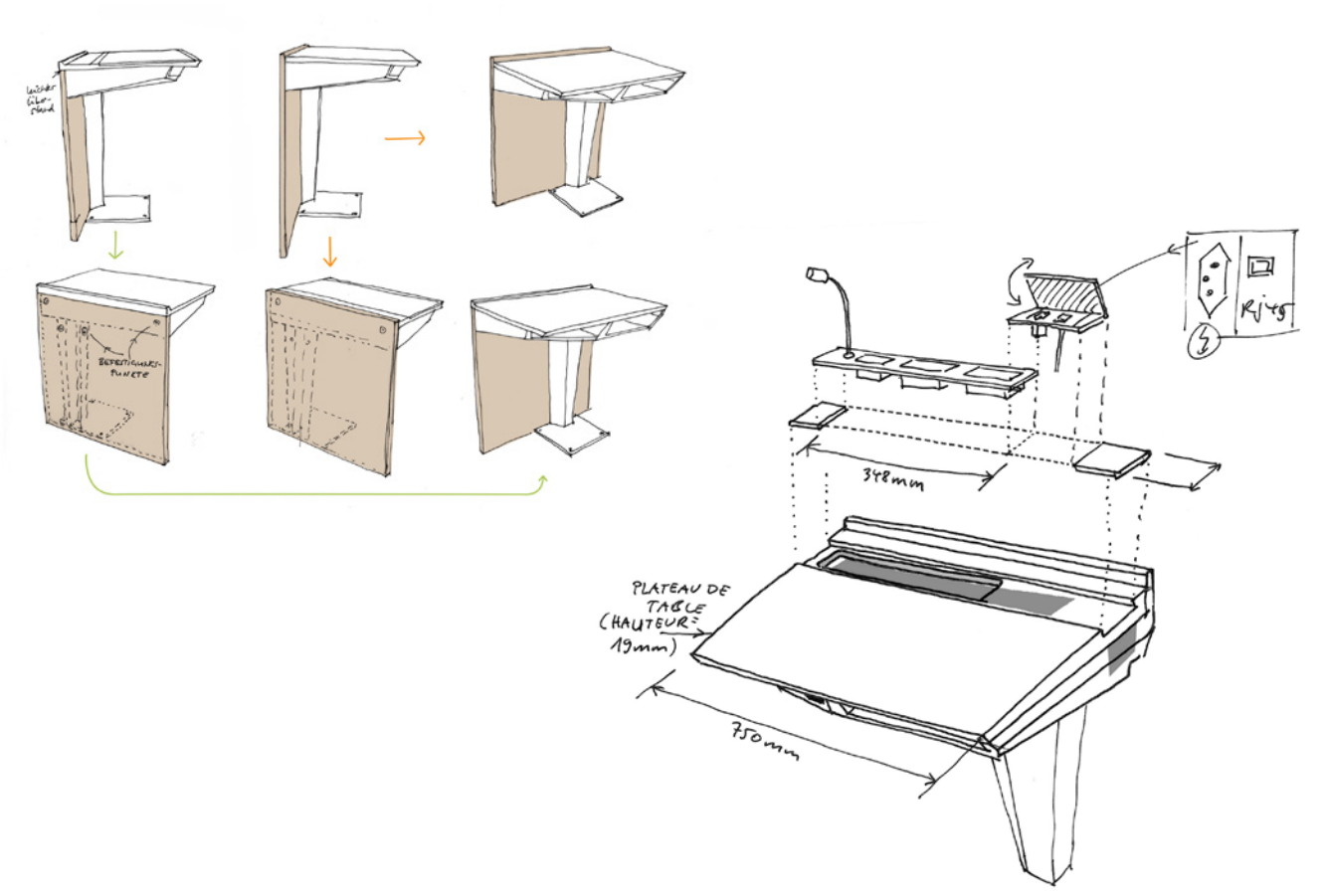
The new conference hall for the World Intellectual Property Organization (WIPO) of the United Nations, in Geneva, seats 900 delegates in its auditorium. Behnisch Architekten designed the furniture, lighting systems, and the interior design of this Conference Hall. The light „boules“ were developed together with ArtEngineering and Zumtobel, integrating a conference hall camera as well as loudspeakers.

The Geneva Chair has been originally developed by Poltrona Frau Contract Division, in collaboration with Behnisch Architekten. It has been installed as a floor mounted fixed auditorium chair, sinuous and elegant with a compact and light profile.

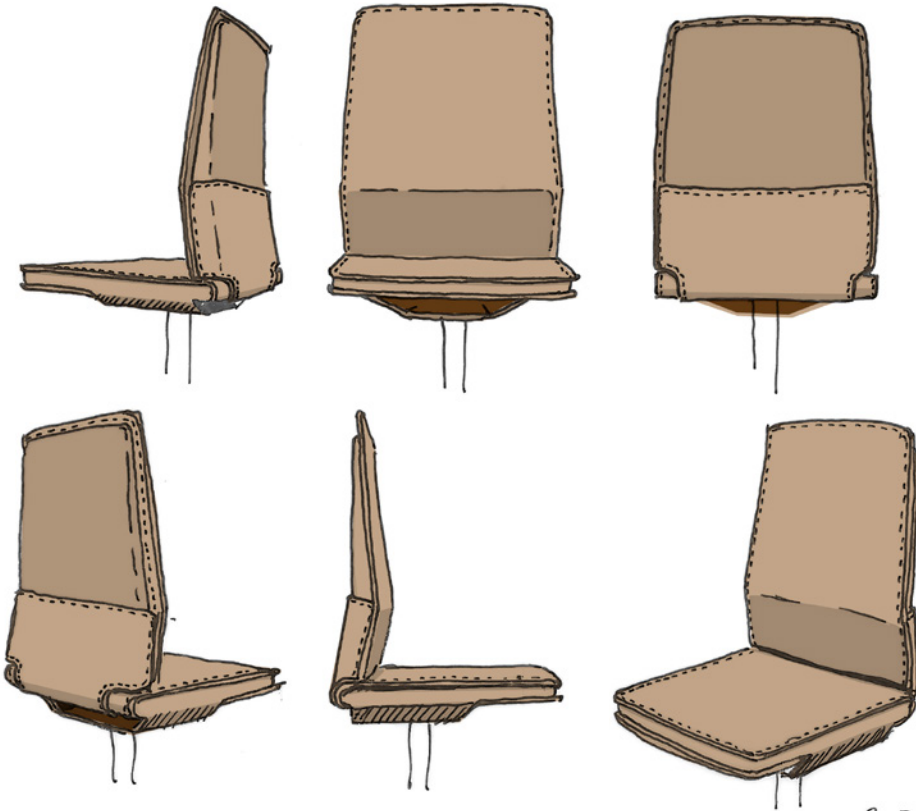












08.07.11